

BENDHEIM

RAINSCREEN



BENDHEIM

RAINSCREEN





BENDHEIM

RAINSCREEN



BENDHEIM

RAINSCREEN





BENDHEIM

RAINSCREEN



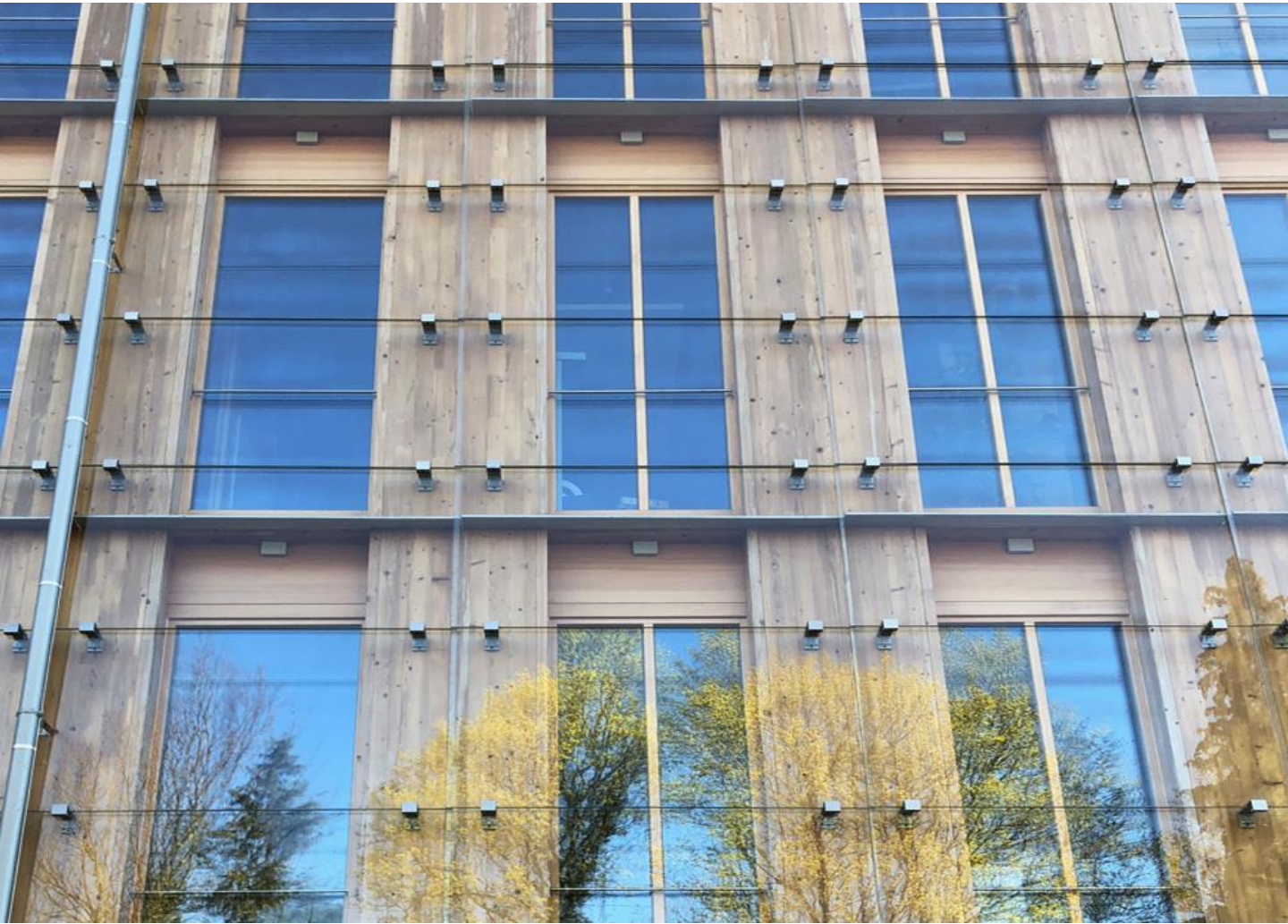
BENDHEIM

RAINSCREEN



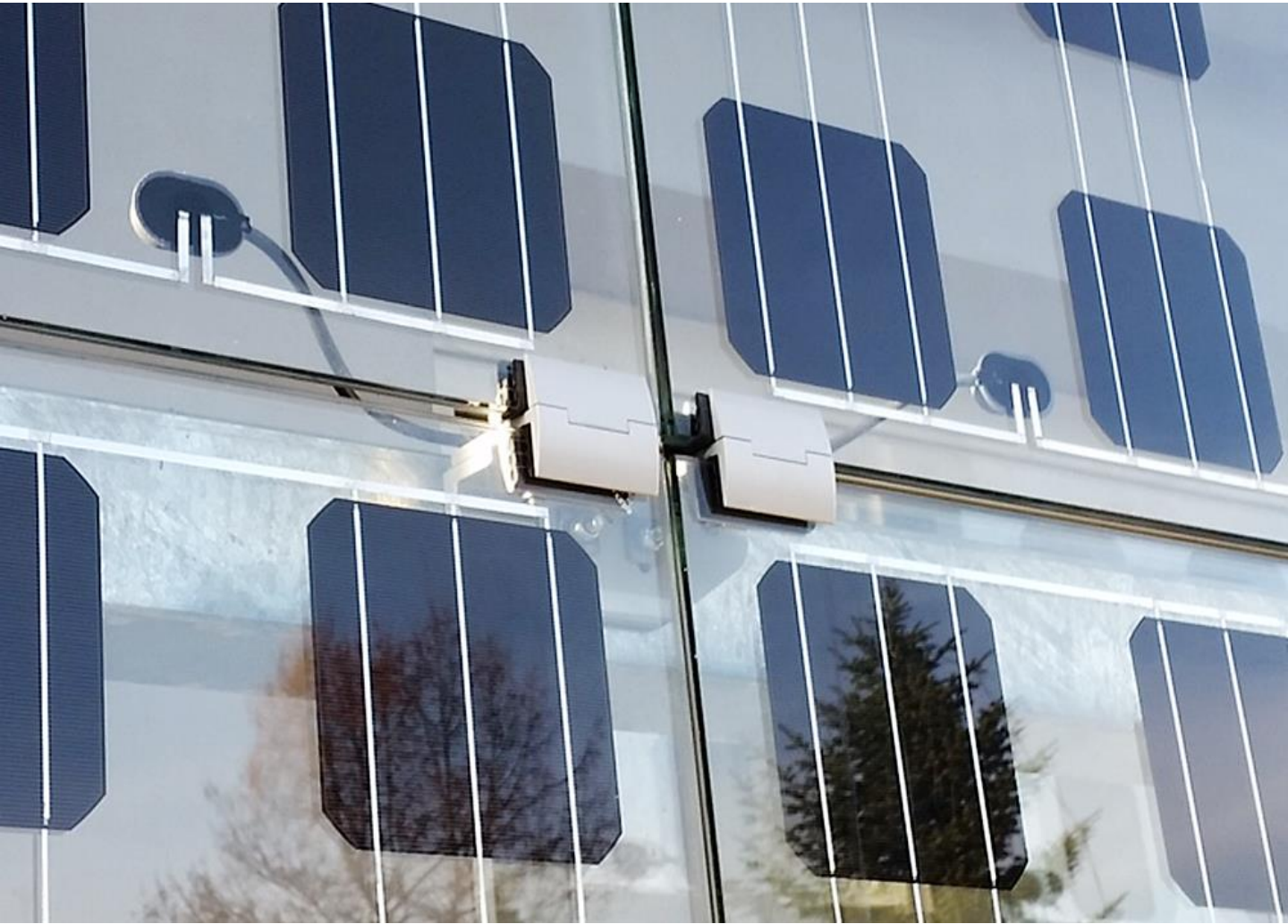
BENDHEIM

RAINSCREEN



BENDHEIM

RAINSCREEN



BENDHEIM

RAINSCREEN



BENDHEIM

RAINSCREEN



BENDHEIM

RAINSCREEN

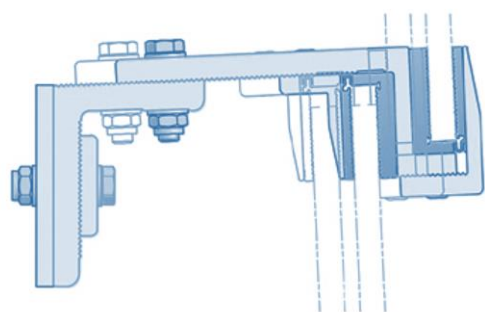
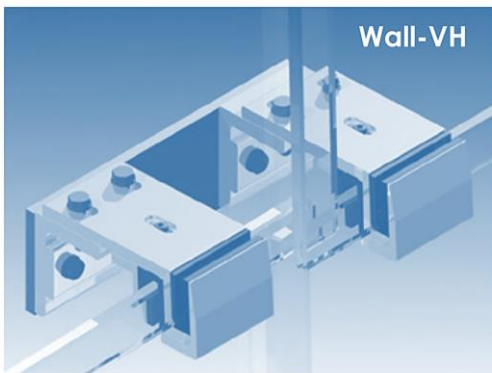




CONFIGURATIONS

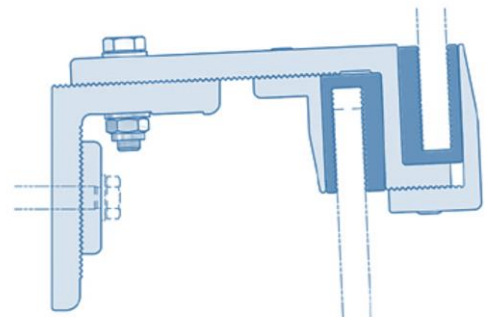
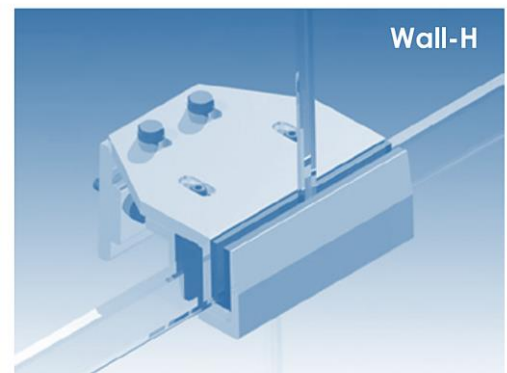
Vertical and Horizontal Overlap Clip System

Accommodates panel thickness from 1/4" (6 mm) to 5/8" (16 mm)
The only fastener system to overlap the glass panels both vertically and horizontally



Horizontal Overlap Clip System

Accommodates panel thickness from 1/4" (6 mm) to 3/4" (19 mm)

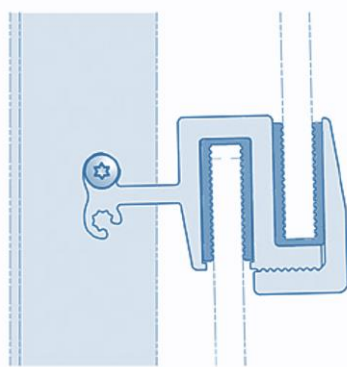
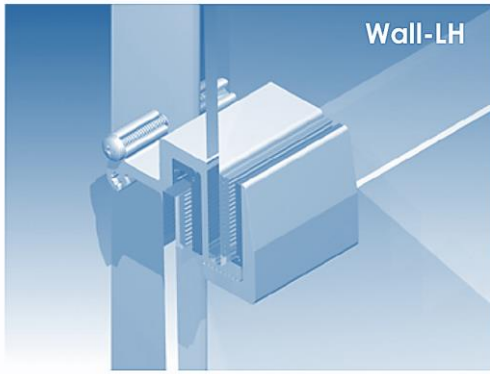




CONFIGURATIONS

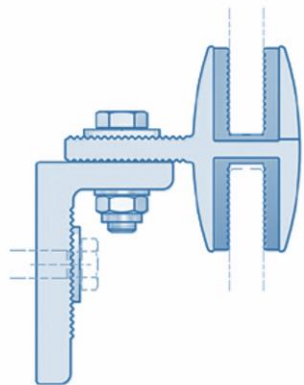
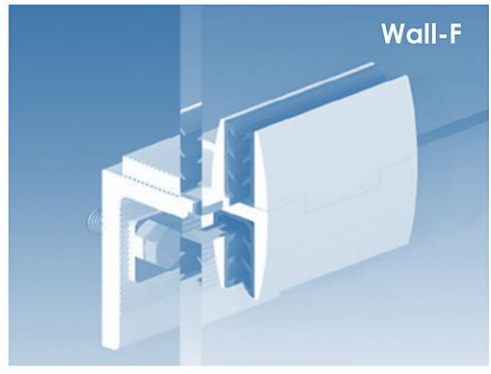
“Light-Duty” Horizontal Overlap Clip System

Accommodates panel thickness from 1/4" (6 mm) to 5/16" (8 mm) Fittings attach to the structure without the need for aluminium angles Particularly effective for interior feature walls



Flat / No Overlap Clip System

Accommodates panel thickness from 1/4" (6 mm) to 5/8" (16 mm) The glass panels are secured to the fastener system without the use of compression screws



mödfacade

modern facades

DAVE SOMMER, CSI, CSC, BEC

206 226 2311 cell

dave@modfacade.com

www.modfacade.com